

MAKE A FISH TRAP (FOR MULLET & MINNOW)



You're ready for fishing. You've got everything ... but wait you need some bait.

You can catch your own with this easy to make trap.

Minnow & Poddy Mullet are small freshwater & saltwater fish, commonly used as fishing bait.

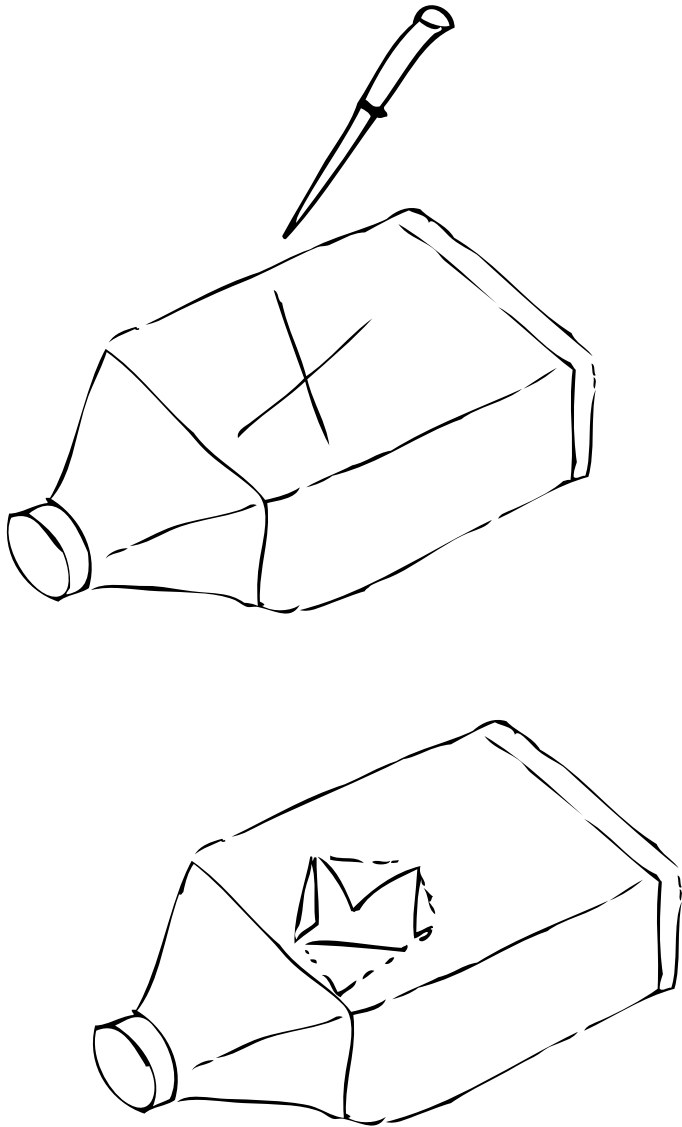


To use your trap

1. Tie your trap with some string to a large stone or tree to stop it floating away.
2. Place some mushed up white bread inside and sink it in a pond or lake for a few hours or overnight. The fish will enter the trap but aren't clever enough to get out.
3. Next morning, simply open the lid of the bottle and pour the fishes into your bait bucket. You're all set for a day of fishing!

HOW MAKE A FISH BAIT TRAP

Making a fish bait trap is easier than you think and all you need is a soda or juice bottle.



Materials

- × Soda or juice bottle - 2 litre - with the lid still on.
- × Sharp knife

What to do

1. Remove the label from your bottle.
2. Take a sharp knife and make a cross on one large flat side of the bottle.
3. Use your fingers to push the corners of the plastic cross down into the bottle.

Safety warning

Work carefully when using sharp knives. Also the plastic when cut can be sharp. You may need an adult to help with this project.

